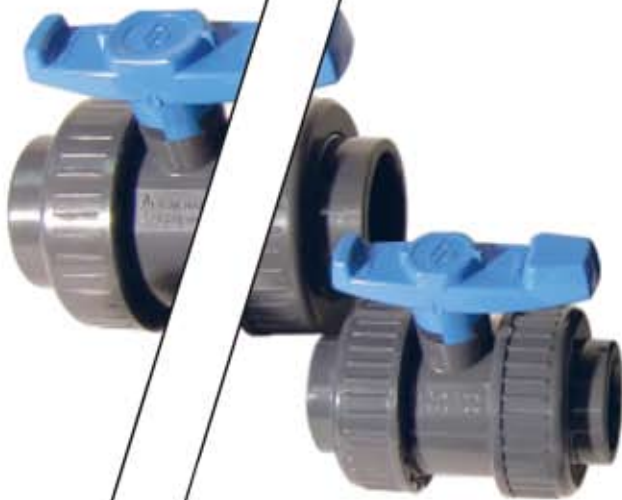


Catalogue Ball valves

Pressure Piping Systems
for Water Applications



PVC-U Safeblock water ball valves

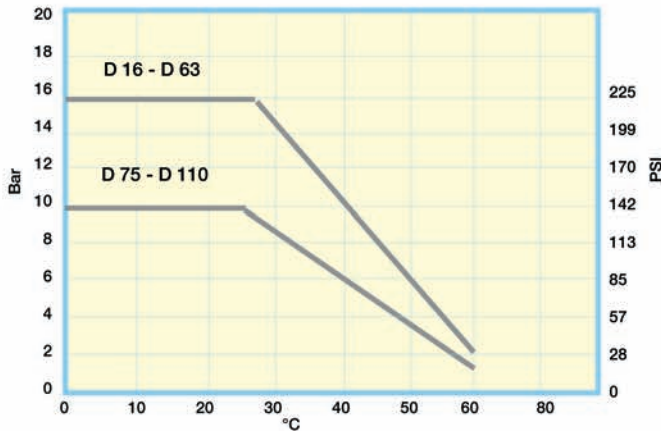
General characteristics

Single and Double Union Ball Valve - compact type - characterized by optimal handling, full flow, axial pipe load block with microadjustment of ball seat. Moreover in closed position the pipeline can be disconnected downstream from the valve.

Features outlined make TP valves particularly suited for the following applications: distribution, treatment and sewage water, swimming pools, water parks and aquaculture.

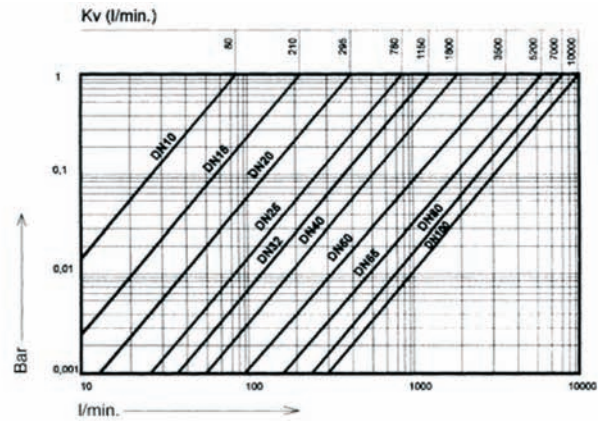
MAX WORKING PRESSURE

The a. m. technical information should be used as a guide. Please consult our Technical dpt for specific queries.



Pressure temperature rating for water an harmless liquid.

CHARGE LOSS



With water at 20°C and the valve in open position

TORQUE

D	G	Nm
16-20	3/8" - 1/2"	0,7
25	3/4"	2
32	1"	3,5
40	1" 1/4	7
50	1" 1/2	9
63	2"	13
75	2" 1/2	24
90	3"	30
110	4"	48

Max torque at max working pressure.

Installation and use

When glueing the end connector of the pipe, care must be taken to prevent the glue or solvent from coming in contact with the valve seats or ball.

Threaded ends should not be connected with cone-shaped male threads and the use of hemp or similar materials should be carefully avoided. A special attention should be paid to the correct line-up of the installation. Tighten the union nut handtight only. The use of wrench is not allowed. It is important that the unions are not used to pull the system together.

If there is any leakage from the union nuts, please check

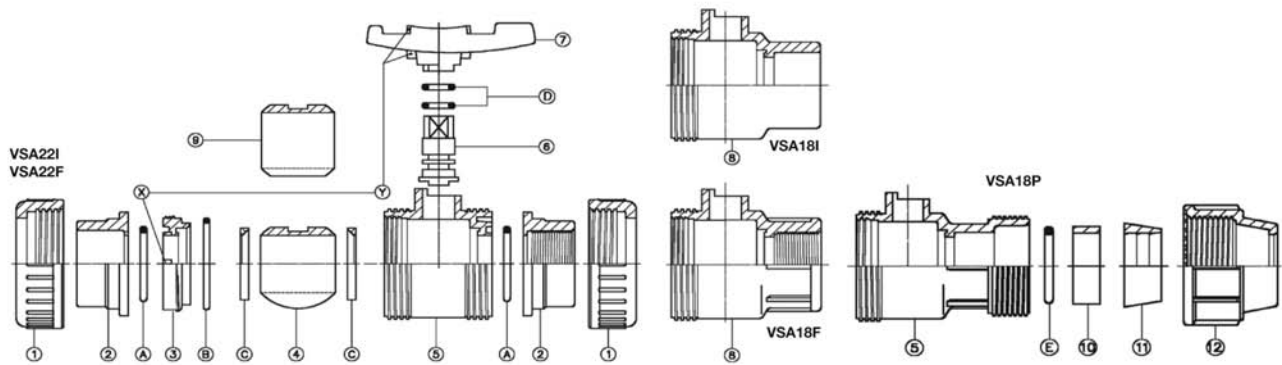
the correct line-up of the system and the pipe length. An excessive tightening of the unions could finally break them.

Before the valve is cycled, all dirt, sand or other material should be flushed from the system. This is to prevent scarring of the ball and/or seats.

It is important to avoid rapid closures/opening of the valve to eliminate the possibility of water hammer causing damage to the pipeline.

It is necessary that all installation and maintenance personnel become familiar with the proper solvent cement and thread joining procedure.

PVC-U Safeblock water ball valves



VALVE COMPONENTS

Pos	Components	n°			Material
		VSA22	VSA18	VSA18P	
1	Union nut	2	1	1	PVC
2	End connector	2	1	1	PVC
3	Adjustable support	1	1	1	PVC
4	Ball DN $\nabla 40$ a $\nabla 100$	1	-	1	PVC
5	Body	1	-	1	PVC
6	Stem	1	1	1	PVC
7	Handle	1	1	1	PVC
8	Single union body	-	1	-	PVC
9	Ball DN $\nabla 10$ a $\nabla 32$	1	-	-	PVC
9	Ball	-	1	-	PVC
10	Packing presser bush	-	-	1	PVC
11	Clip ring	-	-	1	POM
12	Quick joint nut	-	-	1	PVC
A	O-ring body	2	1	1	EPDM
B	O-ring support	1	1	1	EPDM
C	Ball sea	2	2	1	PTFE+PE
D	O-ring stem	2	2	2	EPDM
E	Quick joint O-ring	-	-	1	EPDM

PVC: Polyvinyl chloride

EPDM: Ethylene-propylene

PTFE+PE: Polytetra+fluoroethylene+polyethylene

POM: Polyacetale

DISASSEMBLING AND REASSEMBLING IN CASE OF MAINTENANCE DOUBLE UNION VSA.22. ...

Screwing the union nut (1) it is possible to take out radially from the system the whole body of the valve.

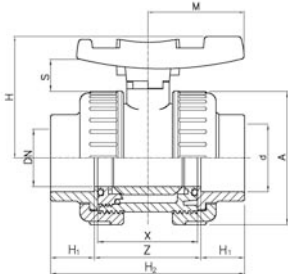
To reach the internal parts of the valve act as follows:

- 1- Set the valve on open position.
- 2- Withdraw the handle (7) from control stem (6).
- 3- Screw the support (3) of the body (5) using the two teeth (Y) of the handle (7) screwing operation should be done counter-clockwise.
- 4- After having screwed the support (3) and taken out the O-ring B which was inside (5), it is possible to reach all the internal parts of the valve to check the O-rings and in case substitute them.
 - to disassemble the ball (4)-(9) turn it using the control stem (6) setting it in closing position to withdraw the ballonet coupling through the control stem (6);
 - to disassemble the control stem (6) of the body (5) push it downwards as far as its complete outcome.

To assemble the valve act in the opposite way being careful to set the O-ring properly and greased it with silicon grease. Screw hreaded support 3 straight to the hand taking care not to block the ball (4)-(9).

PVC-U valves British standard Inch

Double union safe block ball valve PVC-U With solvent cement sockets Inch BS



d [inch]	d [mm]	PN	EPDM Code	SP	GP	kg
3/8		16	VSA22L160	150	-	0.130
1/2		16	VSA22L200	150	-	0.130
3/4		16	VSA22L250	100	-	0.205
1		16	VSA22L320	60	-	0.290
1 1/4		16	VSA22L400	36	-	0.435
1 1/2		16	VSA22L500	24	-	0.670
2		10	VSA22L630	13	-	1.125
2 1/2	75	10	VSA22L750	8	-	2.090
3		10	VSA22L900	4	-	3.310
4		10	VSA22L910	2	-	5.925

d [inch]	A [mm]	H [mm]	M [mm]	S [mm]	X [mm]	H1 [mm]	Z [mm]	H2 [mm]
3/8	50	53	40	19	42	14	48	76
1/2	50	43	40	19	42	16	48	80
3/4	59	60	45	19	48	19	53	91
1	68	67	51	21	54	22	58	102
1 1/4	80	79	59	25	62	26	68	120
1 1/2	94	90	70	27	72	31	78	140
2	115	107	84	29	86	38	93	169
2 1/2	145	129	103	32	110		118	
3	168	143	120	36	128	51	140	242
4	210	169	141	43	150	61	160	282

PF 2 02 956 011